



## ADVANTAGES

- Economical solution
- Lightweight mineral rainscreen cladding (around 30kg/m<sup>2</sup>)
- Unparalleled durability of terracotta
- Simple and fast installation using clips
- Large choice of colours
- Heights from 15 to 40 cm up to 150 cm in length
- Maintenance free



| INTERIOR DESIGN • TURNKEY PROJECTS |

## ECONOMICAL RAINSCREEN CLADDING

**arpitshah**® clay tiles is a cost effective ventilated wall cladding product installed with clips fixed to vertical profiles. Its light weight allows easy handling on site and reduced transportation costs by optimizing the palletization.

Aesthetical and modern, **arpitshah**® is available up to 150 cm-long, in 13 through-body colours, with smooth or ridged finish. It is also available in a glazed range of 21 standard colours or custom shade on request.

### TERRACOTTA

Timeless material : terracotta is obtained by firing a mixture of clay. It is this natural raw material that provides it its strengths:

N /8:595FF 1A4 LA8CL5

N .11LE19 1A4 FLF18A1295

N \*LE1295 1A4 :18A15A1A35 6E55

N -8E5 E5F8F11A1

N 05EF11895 1A4 15F175I83

# CHARACTERISTICS



## DIMENSIONS STANDARDS

PRODUCT	MODULE H X L X TH. mm	DIMENSIONS H X L X TH. mm	WEIGHT Unit Kg	IMPACT RESISTANCE*	WIND RESISTANCE		
					Standard*	Reinforced**	
PITERAK® XS	15	150 x 1500	159 x 1490 x 18	6,7	-	-	-
	20	200 x 1500	209 x 1490 x 18	8,9	-	-	-
	25	250 x 1200	259 x 1190 x 18	8,9	Q2/Q3*	1840 Pa	2542 Pa
		250 x 1500	259 x 1490 x 18	11,9	Q2/Q3*	614 Pa	870 Pa
	30	300 x 1200	309 x 1190 x 18	10,7	Q2/Q3*	980 Pa	2542 Pa
		300 x 1500	309 x 1490 x 18	13,4	Q2/Q3*	614 Pa	870 Pa
40	400 x 1500	409 x 1490 x 18	17,9	Q2/Q3*	614 Pa	870 Pa	

H =Height ; L=Length ; Th.=Thickness

\*Maximum resistance reached with reinforced installation

\*\* Installation with intermediate profile and 2 clips

Also available in imperial dimension units

## INSTALLATION PROPERTIES

- **Substrate type** : concrete wall, coated masonry, and framed walls
- **Primary framework** : corrosion resistant metal
- **Impact résistance** : up to Q3
- **Wind resistance** : according to format and installation
- **Fire resistant** product
- **Product fixed by specific clips** : to a vertical aluminum framework secured to the main structure

## PRINCIPLE OF IMPLEMENTATION

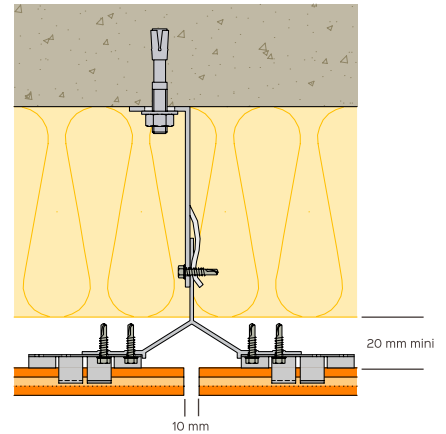
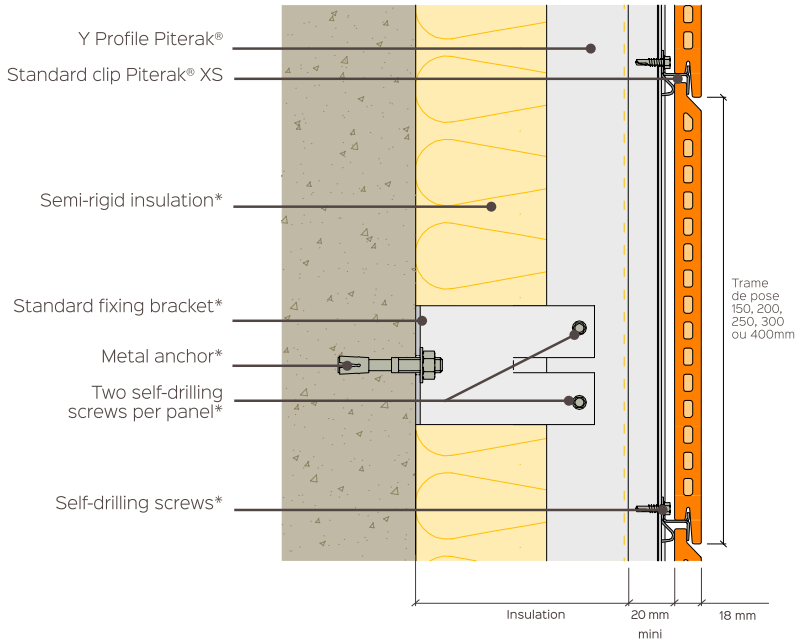
- **Vertical framework profiles run along the vertical reveals** and protect the insulation and supporting wall while acting as a guide for water drainage
- **Simplicity of unit replacement** methods in case of breakage
- **Air gap for ventilation** : minimum 20mm
- **Vertical reveals** : 5 to 10 mm
- **45° mitre cut** available from the factory



# INSTALLATION DETAILS

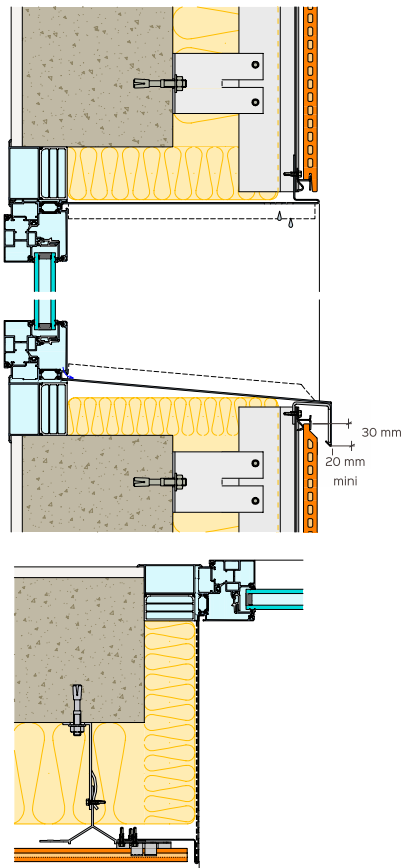


## STANDARD FIT

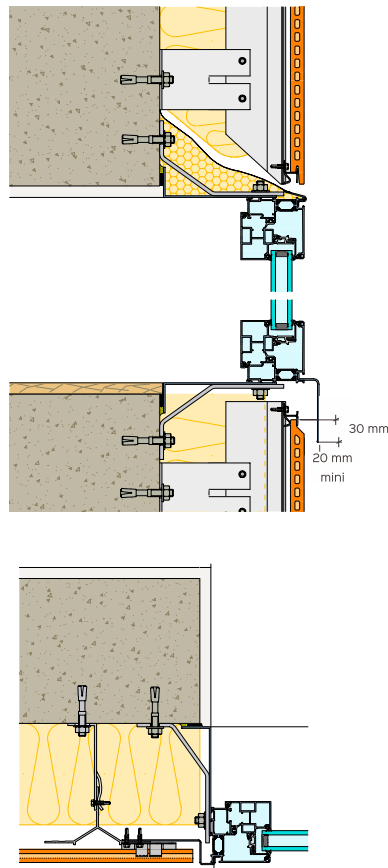


\* Not furnished by Terreal

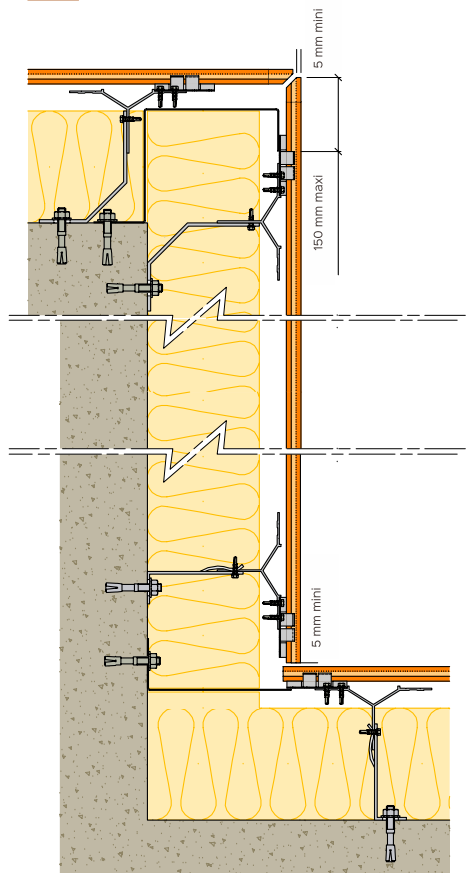
## WINDOW FRAME INSET FROM OUTSIDE WALL



## WINDOW FRAME FLUSH WITH OUTSIDE WALL



## CORNERS



**5**  
HEIGHTS

ECONOMICAL

  
DURABLE  
MAINTENANCE FREE

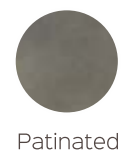
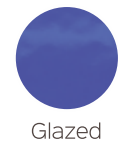
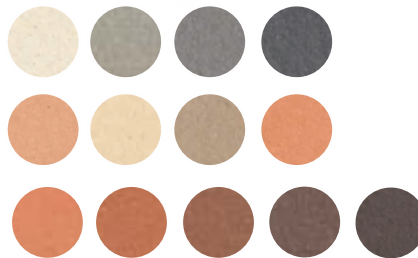
40 cm  
30 cm  
25 cm  
20 cm  
15 cm



**2**  
FINISHES

**13**  
COLOURS

**3**  
SKINS



Also available in imperial dimension units

# COLOURS

## SMOOTH RANGE



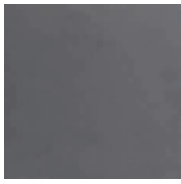
10. Chalk white



12. Light grey



13. Storm grey



15. Slate grey



11. Sahara Beige



03. Champagne



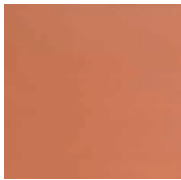
06. Sand



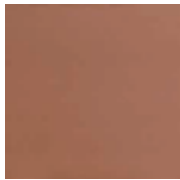
04. Salmon Pink



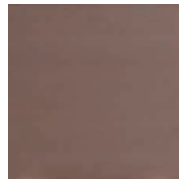
02. Red-orange



01. Red



07. Siena



09. Coffee



16. Ebony

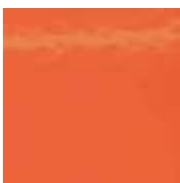
## GLAZED RANGE



Yellow



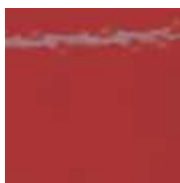
Lichen



Orange



Red



Mars red



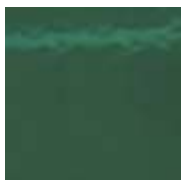
Calamine pink



Steel



Shadow earth



Green



Petrol blue



Verdigris



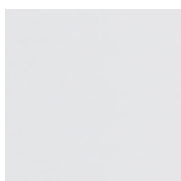
Cobalt blue



Violet



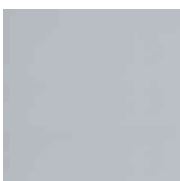
Bronze



Matt white



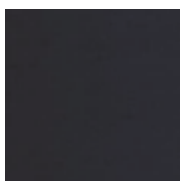
Glossy white



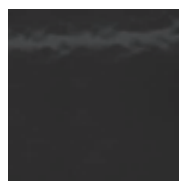
Matt light grey



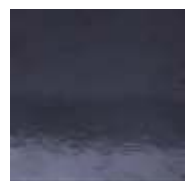
Glossy light grey



Matt black



Glossy black



Marine black

TERREAL can develop custom glazed tints with you. For more information contact us.



| INTERIOR DESIGN • TURNKEY PROJECTS |

**Office :**  
FF-10, Krushnam Status,  
Anand Party Plot Road,  
Nr. Axis Bank, New Ranip,  
Ahmedabad - 382480.

**Showroom & Factory :**  
41 Shyamved Industrial Estate,  
Nr. Ranasan Circle,  
Sardar Patel Ring Road,  
Nana Chiloda, Ahmedabad - 382330.



[www.arpitshahprojects.com](http://www.arpitshahprojects.com)



92282 95555



96876 48764